

## File Recessed

code F1000.8TWX/01

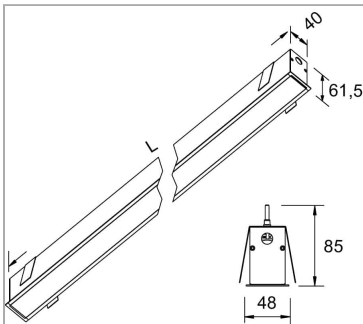


### PRODUCT DESCRIPTION

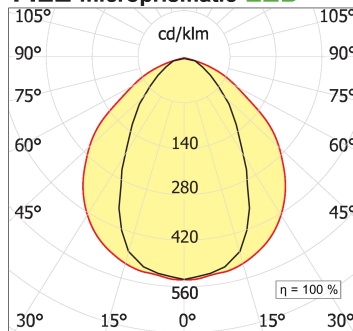
Direct light indoor recessed lamp made of extruded aluminum 6060; complete with led; color rendering index CRI >90. Professional led 12.8 W modules assembled and wired on extruded aluminum heatsink with high performance reflector, equipped with harmonic steel springs for installation in the profile Tools free; wiring through 5 cables with quick coupling terminal blocks; protocol . Lamp with color finish white; in polycarbonate with diffusing film. Degree of protection IP40/IP43.

### PRODUCT SPECS

Installation method	Recessed with frame
Light source	LED
Absorbed power	12,8 W
Color temperature	Tunable White
Color rendering index CRI	>90
Optic	Microprismatic diffuser
Finishing	White
MacAdam color tolerance	3
Life time estimate	50000h Ta 25° L80 B10
Energy efficiency class	E
Weight	0.95 Kg
Dimension	L580 mm
Hole size	42xL+2 mm
IP Grade	Inst. Parete Ip40 / Inst. Soffitto Ip43
Power supply	220-240V 50-60Hz



### FILE microprismatic LED



### WEB PAGE



### ASSEMBLY INSTRUCTIONS



