

File Recessed

code F1000.8HCPD/01

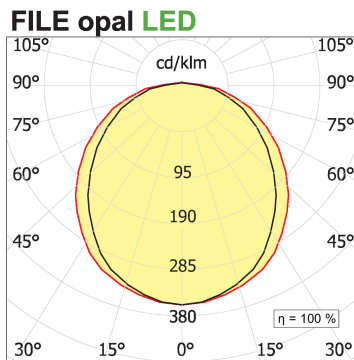
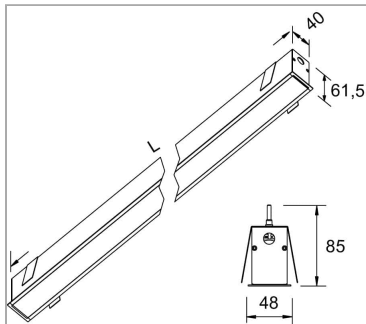


PRODUCT DESCRIPTION

Direct light indoor recessed lamp made of extruded aluminum 6060; complete with led; color rendering index CRI >90. Professional led 12.8 W modules assembled and wired on extruded aluminum heatsink with high performance reflector, equipped with harmonic steel springs for installation in the profile Tools free; wiring through 5 cables with quick coupling terminal blocks; protocol Dimmable Dali. Lamp with color finish white; in polycarbonate with diffusing film. Degree of protection IP40/IP43.

PRODUCT SPECS

Installation method	Recessed with frame
Light source	LED
Absorbed power	12,8 W
Color temperature	Horticulture
Color rendering index CRI	>90
Optic	Opal polycarbonate diffuser
Finishing	White
MacAdam color tolerance	3
Life time estimate	50000h Ta 25° L80 B10
Protocol	Dimmable Dali
Energy efficiency class	E
Weight	0.95 Kg
Dimension	L580 mm
Hole size	42xL+2 mm
IP Grade	Inst. Parete Ip40 / Inst. Soffitto Ip43
Power supply	220-240V 50-60Hz



WEB PAGE



ASSEMBLY INSTRUCTIONS



Complies with EN605981 and related notes. In the absence of metric symbols, the measurements are all in millimetres. Luminous flux and power data are initially subject to tolerances +/- 10%. The values refer to an ambient temperature of 25°C unless otherwise specified. We reserve the right to make changes to our products at any time.

