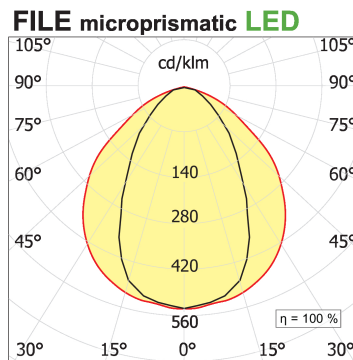
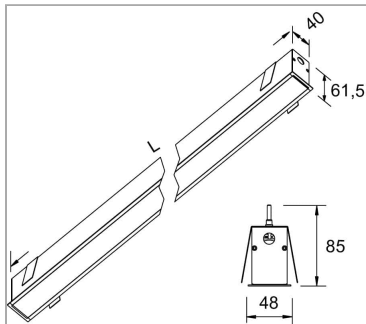


**File Recessed**

code F1001.827XD/01



**PRODUCT DESCRIPTION**

Direct light indoor recessed lamp made of extruded aluminum 6060; complete with led; color rendering index CRI >90. Professional led 19.2 W modules assembled and wired on extruded aluminum heatsink with high performance reflector, equipped with harmonic steel springs for installation in the profile Tools free; wiring through 5 cables with quick coupling terminal blocks; protocol Dimmable Dali. Lamp with color finish white; in polycarbonate with diffusing film. Degree of protection IP40/IP43.

**PRODUCT SPECS**

Installation method	Recessed with frame
Light source	LED
Absorbed power	19,2 W
Color temperature	2700K
Color rendering index CRI	>90
Optic	Microprismatic diffuser
Finishing	White
Luminous flux of the product	1446 lm
Luminous efficiency	75 lm/W
MacAdam color tolerance	3
Life time estimate	50000h Ta 25° L80B10
Protocol	Dimmable Dali
Energy efficiency class	E
Weight	1.30 Kg
Dimension	L860 mm
Hole size	42xL+2 mm
IP Grade	Inst. Parete Ip40 / Inst. Soffitto Ip43
Power supply	220-240V 50-60Hz

**WEB PAGE**



**ASSEMBLY INSTRUCTIONS**



Complies with EN605981 and related notes. In the absence of metric symbols, the measurements are all in millimetres. Luminous flux and power data are initially subject to tolerances +/- 10%. The values refer to an ambient temperature of 25°C unless otherwise specified. We reserve the right to make changes to our products at any time.

