

**File Recessed**

code F1005.830P/01

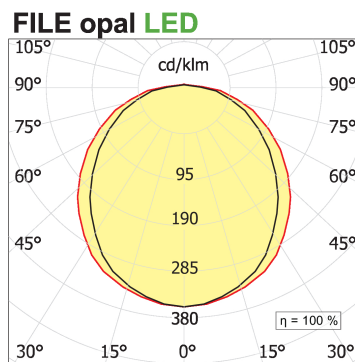
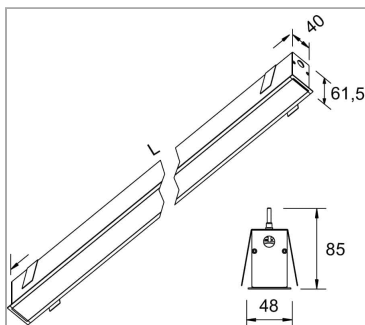


**PRODUCT DESCRIPTION**

Direct light indoor recessed lamp made of extruded aluminum 6060; complete with led; color rendering index CRI >90. Professional led 44.8 W modules assembled and wired on extruded aluminum heatsink with high performance reflector, equipped with harmonic steel springs for installation in the profile Tools free; wiring through 5 cables with quick coupling terminal blocks; protocol On/Off. Lamp with color finish white; in polycarbonate with diffusing film. Degree of protection IP40/IP43.

**PRODUCT SPECS**

|                              |   |
|------------------------------|---|
| Installation method          | Recessed with frame                     |
| Light source                 | LED                                     |
| Absorbed power               | 44,8 W                                  |
| Color temperature            | 3000K                                   |
| Color rendering index CRI    | >90                                     |
| Optic                        | Opal polycarbonate diffuser             |
| Finishing                    | White                                   |
| Luminous flux of the product | 2523 lm                                 |
| Luminous efficiency          | 56 lm/W                                 |
| MacAdam color tolerance      | 3                                       |
| Life time estimate           | 50000h Ta 25° L80B10                    |
| Protocol                     | On/Off                                  |
| Energy efficiency class      | D                                       |
| Weight                       | 3.40 Kg                                 |
| Dimension                    | L1985 mm                                |
| Hole size                    | 42xL+2 mm                               |
| IP Grade                     | Inst. Parete Ip40 / Inst. Soffitto Ip43 |
| Power supply                 | 220-240V 50-60Hz                        |



**WEB PAGE**



**ASSEMBLY INSTRUCTIONS**



