

File Recessed

code F1008.8HCPD/01

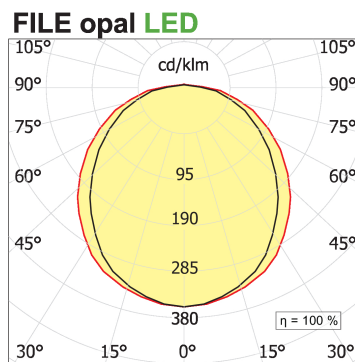
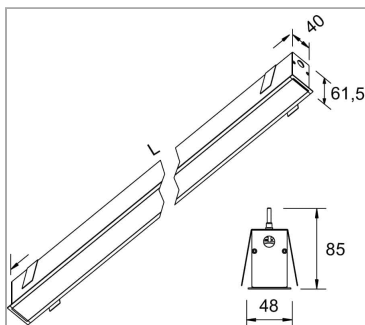


PRODUCT DESCRIPTION

Direct light indoor recessed lamp made of extruded aluminum 6060; complete with led; color rendering index CRI >90. Professional led 64 W modules assembled and wired on extruded aluminum heatsink with high performance reflector, equipped with harmonic steel springs for installation in the profile Tools free; wiring through 5 cables with quick coupling terminal blocks; protocol Dimmable Dali. Lamp with color finish white; in polycarbonate with diffusing film. Degree of protection IP40/IP43.

PRODUCT SPECS

| | |
|---------------------------|---|
| Installation method | Recessed with frame |
| Light source | LED |
| Absorbed power | 64 W |
| Color temperature | Horticulture |
| Color rendering index CRI | >90 |
| Optic | Opal polycarbonate diffuser |
| Finishing | White |
| MacAdam color tolerance | 3 |
| Life time estimate | 50000h Ta 25° L80B10 |
| Protocol | Dimmable Dali |
| Energy efficiency class | E |
| Weight | 4.50 Kg |
| Dimension | L2825 mm |
| Hole size | 42xL+2 mm |
| IP Grade | Inst. Parete Ip40 / Inst. Soffitto Ip43 |
| Power supply | 220-240V 50-60Hz |



WEB PAGE



ASSEMBLY INSTRUCTIONS



