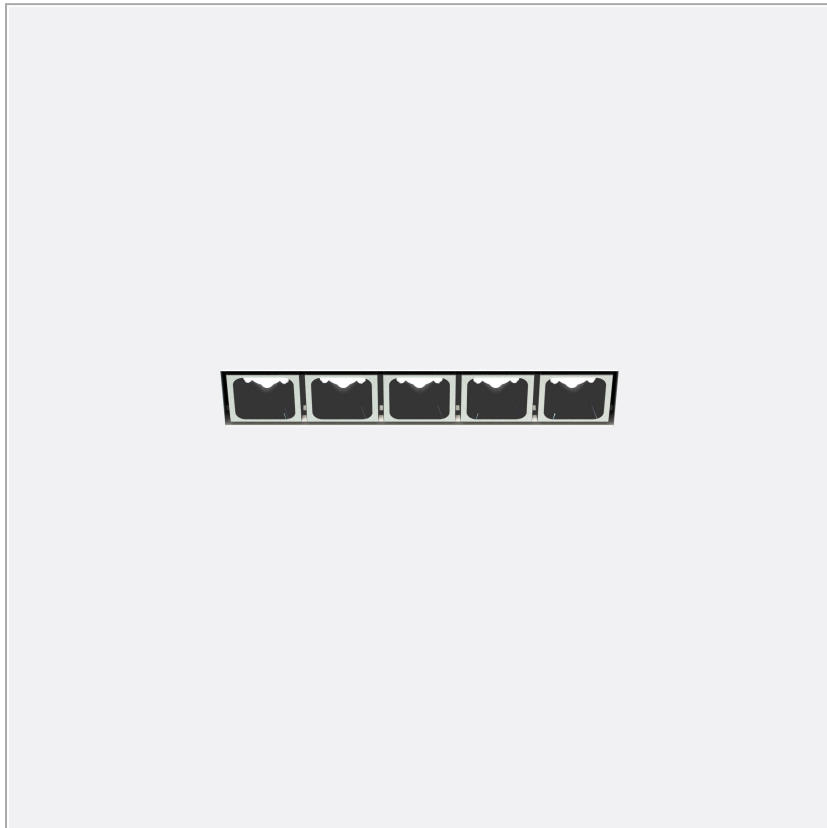


**Leva 5 trimless recessed - kit**

code LV005K.927S/01

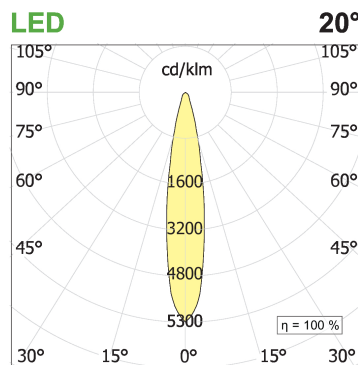
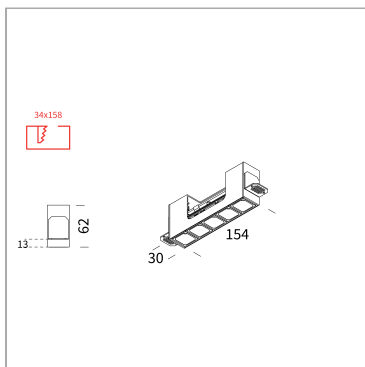


**PRODUCT DESCRIPTION**

Luminaire for integrated LED Chip On Board sources. Flush-mounted installation. Luminaire body in extruded painted aluminium white. Optical units complete with LED chip on board, lens, anti-glare housing. Optics 20° UGR<16. Degree of protection IP20.

**PRODUCT SPECS**

Installation method	Trimless recessed
Light source	LED
Absorbed power	5x2,2 W
Color temperature	2700K
Color rendering index CRI	>90
Optic	Spot 20°
Finishing	White
Luminous flux of the product	993 lm
Luminous efficiency	90 lm/W
MacAdam color tolerance	2
Life time estimate	50000h Ta 25° L90B10
Energy efficiency class	E
Weight	0.10 Kg
Dimension	L150xW27xH60 mm
Hole size	32X156 mm
IP Grade	IP20
Protection Class	Class III appliance
Product Spec	Rectangular shape
Power supply/Transformer	Not included
Protocol	See power supply



**WEB PAGE**



**ASSEMBLY INSTRUCTIONS**



## MANDATORY ACCESSORIES

### Accessories Leva Trimless box 5



code LV005A

Trimless recessed indoor wallbox for false ceiling

Technical Sheet



### AE700.11C (Copia)



code AE700.12C

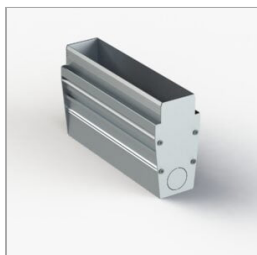
Electronic power supply current

Technical Sheet



## OPTIONAL ACCESSORIES

### Wallbox for brick wall and concrete – Leva5



code CCLV05

Formwork for masonry and concrete, suitable for Leva5. Internal length 157mm - external length 159,4mm

Technical Sheet



