

**IFerrosi floor double pole H3300
60+120**

code IF01.930F/99

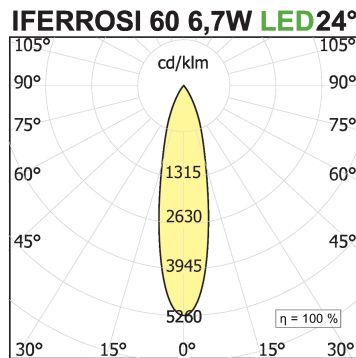
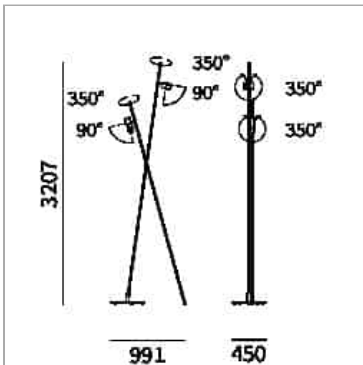


PRODUCT DESCRIPTION

Family of outdoor floor or wall luminaires, available in finished modules or in a modular system for maximum customization. Versions with LED source projectors for accent light are available. Poles of different heights from 700mm to 3000mm are available, to be combined with spots of 6.7W or 18W. Fixing base or possibility to install in different surfaces: flange for wooden surfaces, clamp for concrete and stake for ground. IP54.

PRODUCT SPECS

Installation method	Floor
Light source	LED
Absorbed power	18 W / 6,7 W
Color temperature	3000K
Color rendering index CRI	>90
Optic	Flood 24°
Finishing	Graphite
Luminous flux of the product	1483 lm / 650 lm
Luminous efficiency	82 lm/W / 97 lm/W
MacAdam color tolerance	3
Life time estimate	50000h L90 B10 Ta 25°C / 3SDCM 50000h L90 B10 Ta 25°C
Protocol	On/Off
Energy efficiency class	D
Weight	22 Kg
Dimension	L450xW990xH3300 mm
IP Grade	IP65
Protection Class	Class III appliance
Power supply/Transformer	Not included
Protocol	See power supply



WEB PAGE



ASSEMBLY INSTRUCTIONS



Complies with EN605981 and related notes. In the absence of metric symbols, the measurements are all in millimetres. Luminous flux and power data are initially subject to tolerances +/- 10%. The values refer to an ambient temperature of 25°C unless otherwise specified. We reserve the right to make changes to our products at any time.

MANDATORY ACCESSORIES

AE500.20C1



code AE500.20C1

Electronic power supply current

AE700.10C

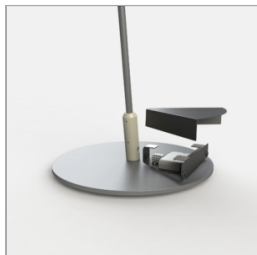


code AE700.10C

Electronic power supply current

OPTIONAL ACCESSORIES

box-for-power-suppliers IFerrosi system



code IF76/99

Family of outdoor floor or wall luminaires, available in finished modules or in a modular system for maximum customization. Versions with LED source projectors for accent light are available. Poles of different heights from 700mm to 3000mm are available, to be combined with spots of 6.7W or 18W. Fixing base or possibility to install in different surfaces: flange for wooden surfaces, clamp for concrete and stake for ground. IP54.

Technical Sheet



