

## Iride Track 114L

code IR16.935FD/01

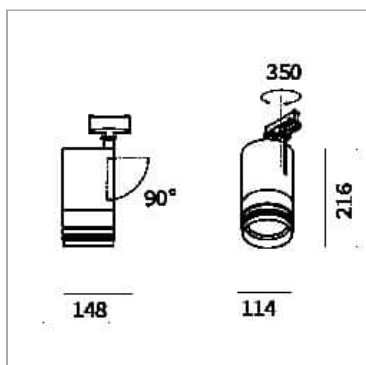


### PRODUCT DESCRIPTION

Projector for track System indoor tilting/ adjustable complete with led 26 W, beam 24°, color rendering index CRI>90. Color finish white. Body lamp and optical group made of die-cast aluminum powder-coated, aluminum joint, rotation of the optical group of 355 °. on the vertical axis and 90 °. on the horizontal axis. Snooter in lamp finish or finishing choice. High performance lens. Possibility of insertion of Honey Comb filter.

### PRODUCT SPECS

Installation method	Track
Light source	LED
Absorbed power	26 W
Color temperature	3500K
Color rendering index CRI	>90
Optic	Flood 24°
Finishing	White
Luminous flux of the product	2531 lm
Luminous efficiency	97 lm/W
Life time estimate	3SDCM 50000h L90 B10 Ta 25°C
Protocol	Dimmable Dali
Energy efficiency class	E
Dimension	Ø114 mm
Product Spec	Adjustable
Power supply	220-240V 50-60Hz



### WEB PAGE



### ASSEMBLY INSTRUCTIONS

